



Energetic Lighting's E1ST series LED street lights offer an ideal solution to replace the many inefficient road lights in use today. LEDs are capped by precision molded optical elements to provide an evenly diffused and controlled light profile ensuring safe driving environment for the road below, with several NEMA beam patterns available. With total outputs up to 19,670 lumens while only operating at 50W to 150W significantly reduces energy usage. The outer heavy duty sand-cast aluminum housing provides efficient heat management as well as weight reduction and aerodynamic profiling. These street lights will provide worry-free reliable operation for many years.

Features

- Fully sealed assembly
- No UV or IR radiation
- Updated and efficient design
- Suitable for wet location use
- Mounting adapters available
- Available "Dusk to Dawn" sensor
- 50W slipfit opening accepts up to 2-1/8" tenon diam.
- 100W & 150W slipfit opening accepts up to 2-5/8" diam.
- 2-5/8" to 2-1/8" step-down tenon adapter available

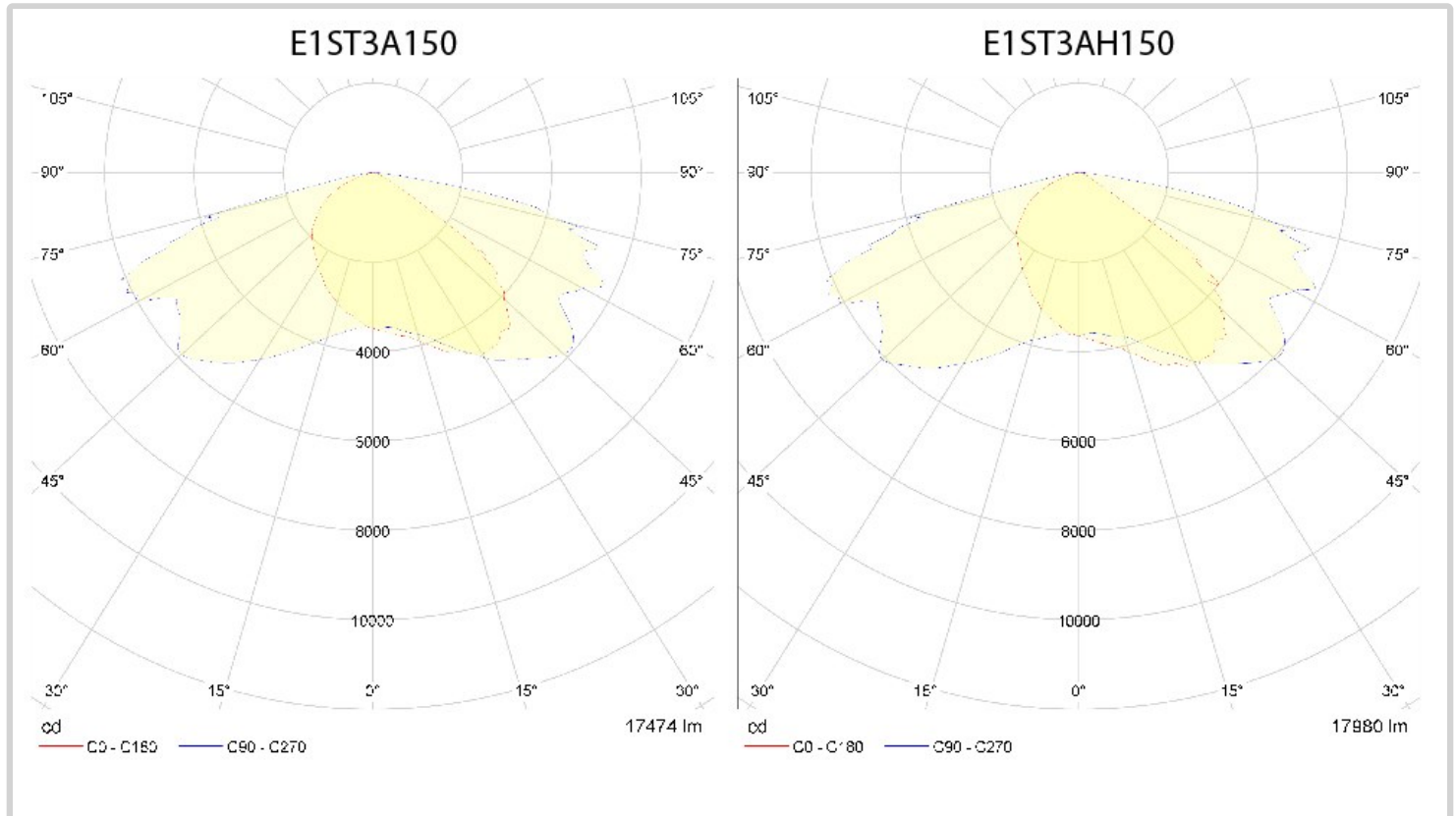
Applications

- Roadways
- Commercial locations
- Outdoor overhead

Specification

Order Number	85006	85007
Model Number	E1ST3A150L-750	E1ST3AH150L-750
Configuration	with Photocell	with Photocell
Body Color/Finish	Silver/gray	Silver/gray
Optical Distribution	Type 3	Type 3
Lumen Output	17659 LM	17659 LM
Luminous Efficacy	122 LM/W	122 LM/W
Input Power	145 W	145 W
Equivalent Wattage	400	400
Input Voltage	120-277 Vac	480 Vac
Power Factor	0.9	0.9
THD	0.15	0.15
Color Temp (CCT)	5000 K	5000 K
Color Rend (CRI)	70	70
Lifetime Rating	50000 hours	50000 hours
Warranty	5 Years	5 Years
Dimmability	No	No
Operating Temp	-40 to 104 (°F)	-40 to 104 (°F)
Environment	Wet Location	Wet Location
DLC	DLC Premium	DLC Premium
Safety Cert	UL	UL
Weight	12.5 LBS	12.5 LBS
Dimensions	33.7"x12.4"x4.6"	33.7"x12.4"x4.6"

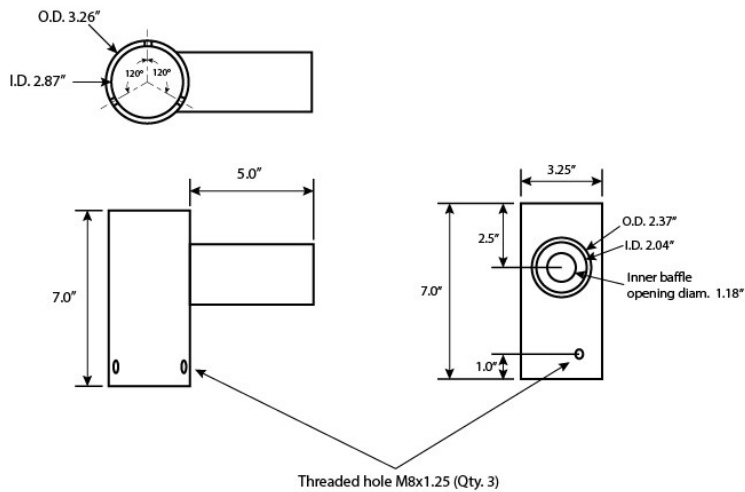
Photometric Data



Options and Accessories

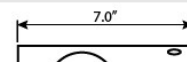
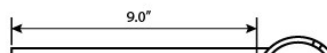
Tenon adapters and options

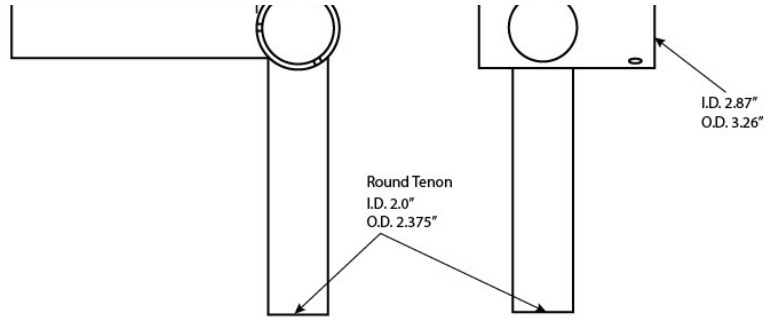
E1ST-TN1



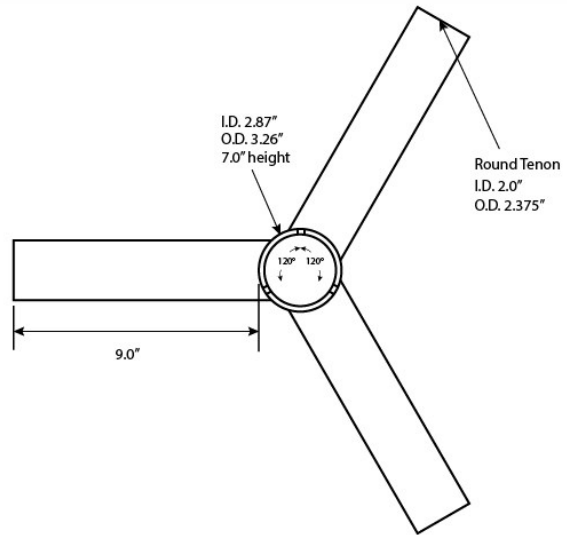
E1ST-TN2

Top cap cover provided

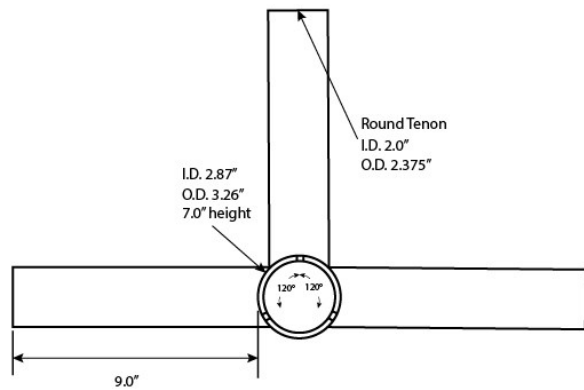




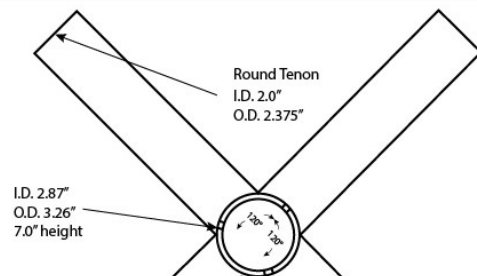
E1ST-TN3

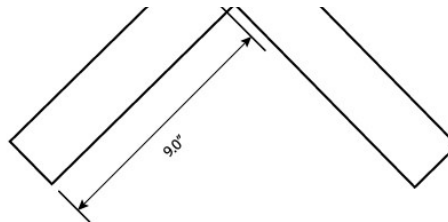
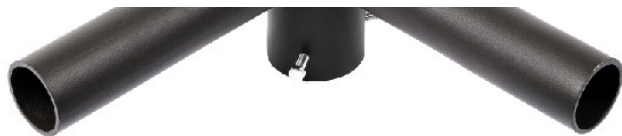


E1ST-TN3A

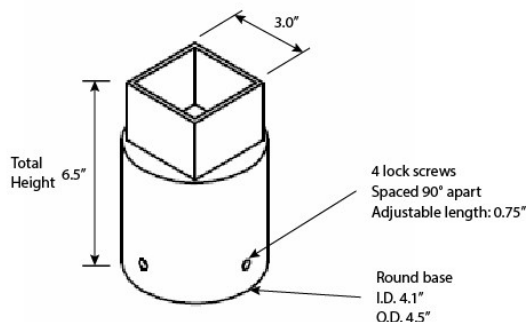


E1ST-TN4

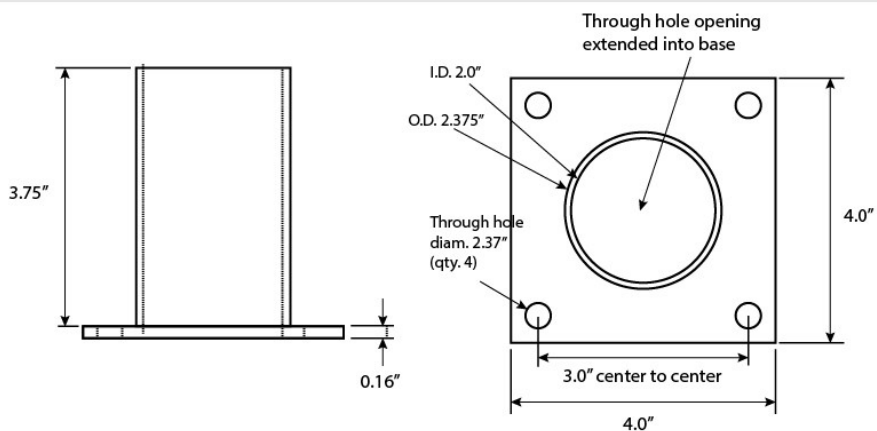




E1MNT-TRAN4

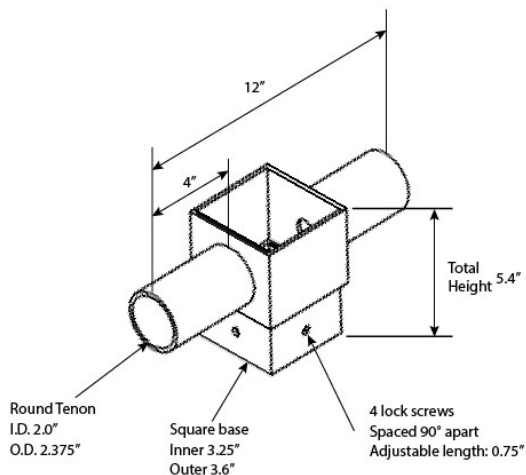


E1MNT-TNH1

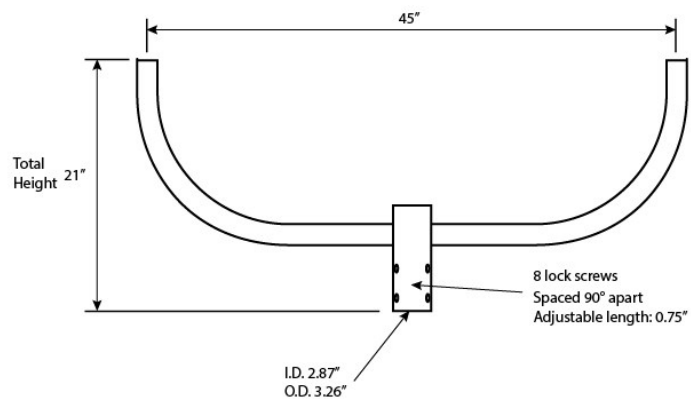


E1MNT-TNH2

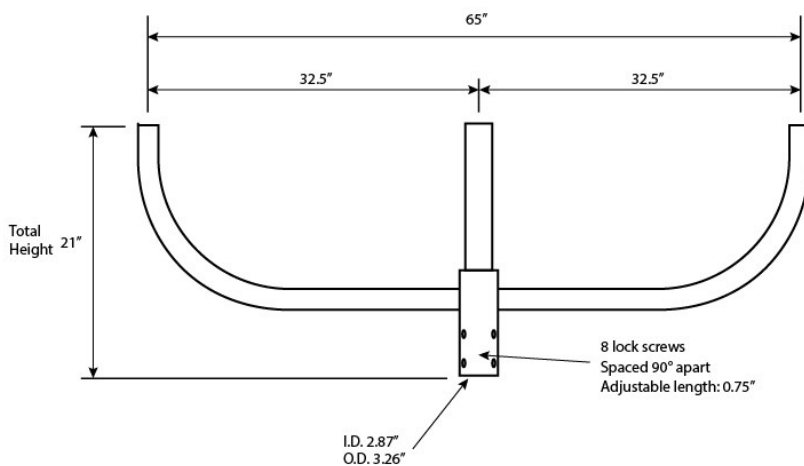
Top cap cover provided



F1MNT-RH2



E1MNT-BH3



Dimensions and Packaging Info

Model Number	E1ST3A150L-750	E1ST3AH150L-750
Item UPC	8 4594000671 8	8 4594000672 5
Case UPC		10 8 4594000672 2
Master Carton UPC		20 8 4594000672 9
Item(s) per pack	1 fixture per package	1 fixture per package
packs per case		
Case per Master	19 lbs	20 lbs
Item weight		
Case weight		
Master Weight		
Item pack dimensions	36"(L)x 36"(W) X 9"(H)	35.5"(L) x 15.3"(W) x 8.2"(H)
Case dimensions		
Master dimensions		