



The Energetic E2STH Series DOT styled Roadway fixture reflects the traditional cobra head designs of legacy lighting, but delivers leading edge 135-140 LM/W performance. Offered from 40W to 150W, this series covers replacement of HID applications ranging from 100W MH/HPS to 400W MH/HPS. With optic options from Type II-S thru Type 5-H, any roadway configuration can easily be supported. Classic DOT features include adjustable tenon pitch positioning, bottom side control gear access, tool-less access covers, ANSI wattage plates, NEMA receptacles, SPD of 10 KA; and newer features such as 0-10V dimming occupancy sensing are available.

Features

- High input voltage: 347-480Vac
- Fully sealed assembly
- Tool-less bottom facing access
- Modern and efficient design
- Suitable for wet location use
- Mast Arm mounting friendly
- Available dusk to dawn sensor
- 0-10 dimming
- 10 KA SPD surge protection

Applications

- Roadways
- Commercial locations
- Outdoor overhead

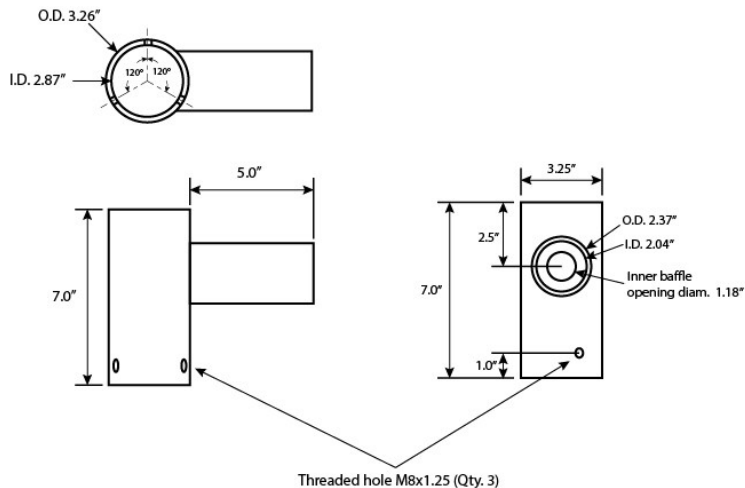
Specification

Order Number	85239	85251	85263
Model Number	E2ST2BH100L-750	E2ST2BH150L-750	E2ST2BH220L-750
Configuration	with Photocell	with Photocell	with Photocell
Body Color/Finish	Silver/gray	Silver/gray	Silver/gray
Optical Distribution	Type 2	Type 2	Type 2
Lumen Output	14800 LM	22200 LM	31900 LM
Luminous Efficacy	148 LM/W	148 LM/W	145 LM/W
Input Power	100 W	150 W	220 W
Input Voltage	347-480 Vac	347-480 Vac	347-480 Vac
Power Factor	>0.9	>0.9	>0.9
THD	<0.2	<0.2	<0.2
Color Temp (CCT)	5000 K	5000 K	5000 K
Color Rend (CRI)	>70	>70	>70
Lifetime Rating	100000 hours	100000 hours	100000 hours
Warranty	5 Years	5 Years	5 Years
Dimmability	0-10v	0-10v	0-10v
Operating Temp	-40 to 104 (°F)	-40 to 104 (°F)	-40 to 104 (°F)
Environment	Wet Location	Wet Location	Wet Location
DLC			
Safety Cert	UL	UL	UL
Weight	12 LBS	12 LBS	12 LBS
Dimensions	25"x14"x6"	25"x14"x6"	25"x14"x6"

Options and Accessories

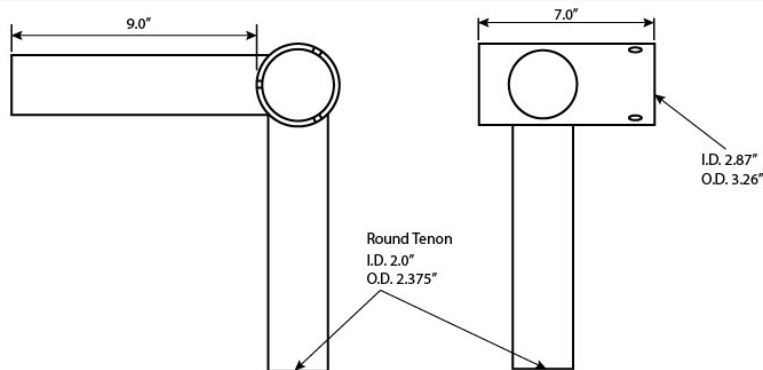
Tenon adapters and options

E1ST-TN1



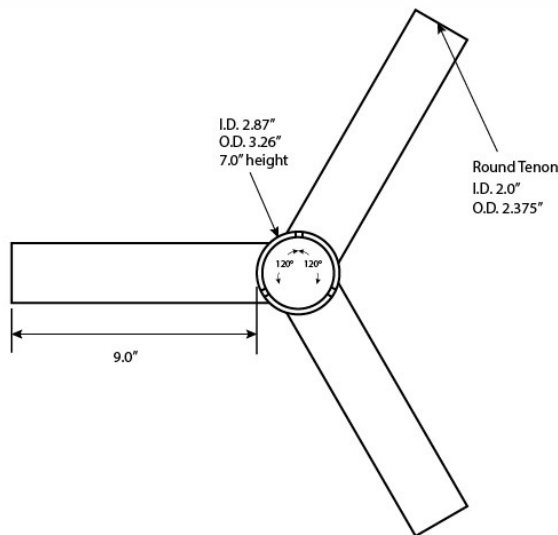
E1ST-TN2

Top cap cover provided



E1ST-TN3

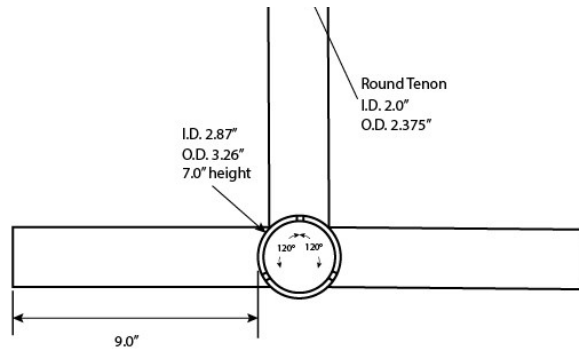
Top cap cover provided



E1ST-TN3A

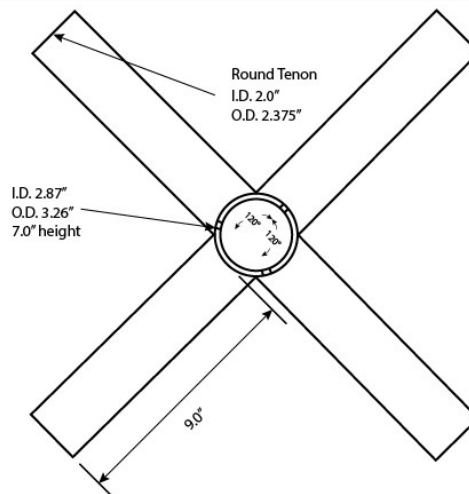


Top cap cover provided

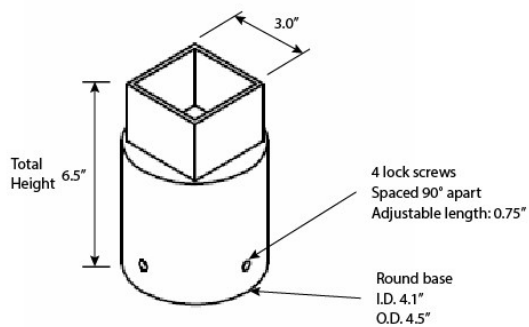


E1ST-TN4

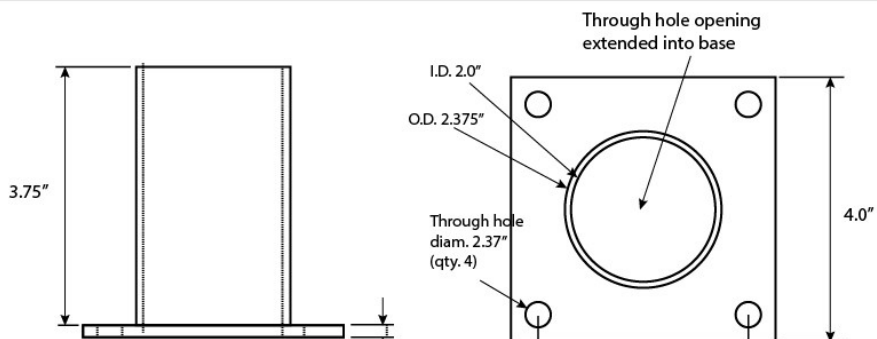
Top cap cover provided



E1MNT-TRAN4

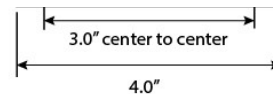


E1MNT-TNH1



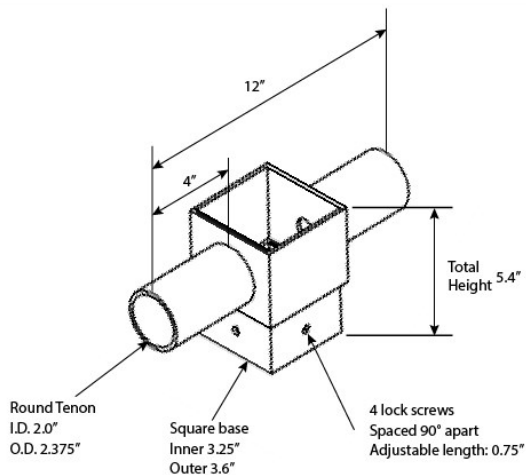


0.16"

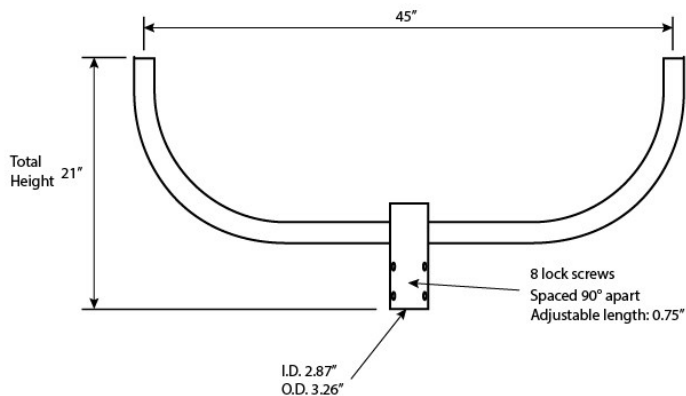


E1MNT-TNH2

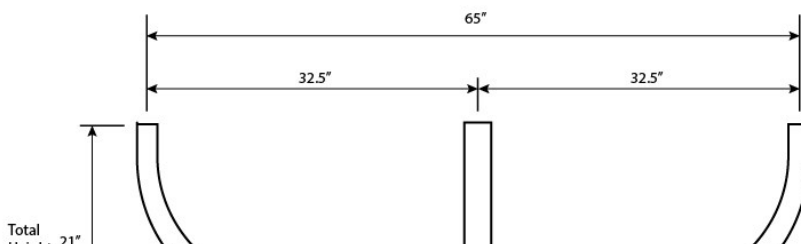
Top cap cover provided

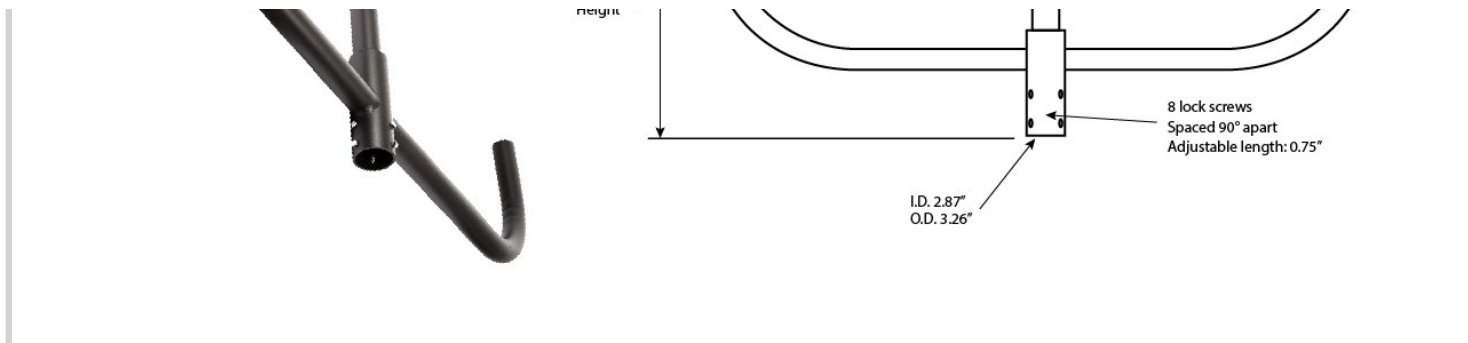


E1MNT-BH2



E1MNT-BH3





Dimensions and Packaging Info

Model Number	E2ST2BH100L-750	E2ST2BH150L-750	E2ST2BH220L-750
Item UPC	8 4594000785 2	8 4594000787 6	8 4594000786 9
Case UPC	10 8 4594000785 9	10 8 4594000787 3	10 8 4594000786 6
Master Carton UPC			
Item(s) per pack			
packs per case			
Case per Master			
Item weight			
Case weight			
Master Weight			
Item pack dimensions			
Case dimensions			
Master dimensions			