

Project:	Catalog#:	Type:
Prepared By:	Notes:	Date:

E3HBC

LED High Bay Fixture CCT-select & Wattage Select • 2 Size Options • 10 Year Limited Warranty



Overview

Energetic Lighting E3HBC Round LED High Bay fixtures, also called UFO LED high bays, are ideal for replacing or retrofitting legacy HID high bay lights, offering high performance and long life. Typical applications include commercial and manufacturing facilities, gymnasiums, warehouse lighting fixtures, and retail aisles. Our Round High Bays are also available in dedicated versions of 100W, 150W, 200W, and 240W, with color temperatures of either 3500K, 4000K or 5000K. Accessories include UFO LED microwave sensors, which are easy to install and with optional plug-n-play sensor. Energetic lighting also offers high temperature-rated UFO LED high bay fixtures featuring an ambient operating temperature of 50°C/122°F. These are ideal for applications such as warehouses and manufacturing facilities in southern climates, and industrial buildings that have demanding temperature requirements.

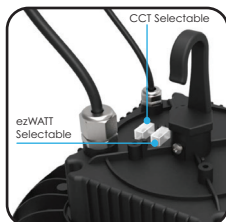
Features

- ezCCT Selectable 3500K, 4000K, and 5000K and ezWATT Selectable
- Dimmable down to 10% with dimmers of 0-10V
- Minimum LED Lifetime L70 Rating 70% lumen @50,000 hours -L70/50,000
- Light Efficient polymer diffusing lens for even illumination
- Emergency Battery Backup system & motion sensor option available.
- Bluetooth control available for wireless grouping and system scheduling.
- Unique integrated thermal heat sink added for maximum dissipation.

Applications

- Commercial and Retail
- Warehouses
- General Indoor Area

Highlights



Easy CCT and Wattage Selectable options for desired color temp or wattages. (Model Dependent)



Easy field installable 1/8" jack sensors for both microwave and bluetooth sensor and controls



E3HBC has many optional accessories such as the angle adjustable surface mount, U-bracket, reflectors, Wire guards, and a more



1/2" Female threading, interchangeable hook mount with supplementary safety cable. (included) can be replaced with all thread for pendant mount (1/2" Standard Thread Rod)



Provided with 6-foot input cord, 5 circuit leads for power and dimming.

Accessories



E1MS-SMW-LVP
12V Microwave motion Plug-in



E1MS-SBTM-W-LVP
12V Bluetooth Smart Integrated Motion Sensor to plug-in



E1ACC-EMNS-3
Emergency Battery Backup



E2HBA-R
Prismatic Reflector for high bay



E1HBACC-ALREF
Aluminum Reflector/Diffuser



E3HBC-LENS
Drop Lens



E3HBC-WG-A
Wire Guard Small



E3HBC-WG-B
Wire Guard Large



E3HBC-TRING
Transition Ring
(Required when ordering any reflector for [large housing] Confirm for large or small housing)



E3HBC-MNT-UB
Angle Adjustable U-Bracket

Load Information

Input Voltage	120-277 Vac	
Power Factor	>0.9	
THD	<23%	
Low Temp Start	-20°C (-4°F)	
Max Temp	50°C (122°F)	
Unit Weight	100W	7.8 lbs
	150W	8.5 lbs
	200W	9.7 lbs
	240W	10.4 lbs

Shipping Information

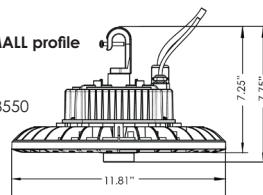
Item	Weight	Box Qty.
Small Profile 100W/150W	TBA lbs	TBA per case
Large Profile 200W/240W	TBA lbs	TBA per case

Lumen Maintenance

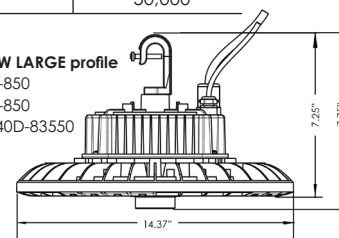
Housing Type	Ambient Temperature	TM-21 Lumen Maintenance (50,000 hours)	Theoretical L70 (hours)
100W/150W	30°C	>89%	50,000
200W/240W	30°C	>89%	50,000

Dimensions

100W & 150W SMALL profile
E3HBC100D-850
E3HBC150D-850
E3HBC90150D-83550



200W & 240W LARGE profile
E3HBC200D-850
E3HBC240D-850
E3HBC180240D-83550



Model Ordering Number

Series Prefix	Wattage	Dimming	CRI	CCT
E3HBC	100	D	8	3550
E3HBC Energetic LED High Bay Fixture ezCCT&ezWATT Selectable	100 100W 150 150W 200 200W 240 240W 90150 90, 120, or 150W 180240 180, 200, or 240W	D 0-10V Dimmable (default)	8 80 CRI	3550 3500K, 4000K, or 5000K 50 5000K

Ordering Examples:

1. For E3HBC 100W Selectable CCT 100-277V	Model#: E3HBC100D-850
2. For E3HBC 180, 220, 240W ezWATT Selectable CCT 3500K,4000K,5000K 100-277V + 12V Bluetooth Sensor + Aluminum refractor + Wire Guard	Model#: E3HBC180240D-3550
12V Bluetooth Sensor	E1MS-SBTMW-LVP
Aluminum refractor	E1HBACC-ALREF
Wire Guard	E3HBC-WG-B

STOCK ORDER INFORMATION

ezCCT & ezWATT Selectable Small Housing 120-277V, 347V

Small Housing

Model Number	Order #	Wattage	LPW	Color Temp	Lumens	CRI	Voltage	Dimming	DLC	Pallet Qty
E3HBC100D-850	81125	100W	135	5000K	13500LM	80	120-277V	0-10V	Pending	TBA
E3HBC150D-850	81126	150W	135	5000K	20250LM	80	120-277V	0-10V	Pending	TBA
E3HBC90150D-83550	81129	90W	160	3500K	14402LM	80	120-277V, 347V	0-10V	Pending	TBA
			167	4000K	15045LM					
			164	5000K	14812LM					
		120W	157	3500K	18885LM					
			167	4000K	20084LM					
			164	5000K	19632LM					
		150W	148	3500K	22072LM					
			158	4000K	23770LM					
			146	5000K	21895LM					

ezCCT & ezWATT Selectable Large Housing 120-277V

Large Housing

Model Number	Order #	Wattage	LPW	Color Temp	Lumens	CRI	Voltage	Dimming	DLC	Pallet Qty
E3HBC200D-850	81127	200W	135	5000K	27000LM	80	120-277V	0-10V	Pending	TBA
E3HBC240D-850	81128	240W	135	5000K	32400LM	80	120-277V	0-10V	Pending	TBA
E3HBC180240D-83550	81130	180W	162	3500K	29191LM	80	120-277V, 347V	0-10V	Pending	TBA
			172	4000K	31041LM					
			165	5000K	29786LM					
		200W	155	3500K	30938LM					
			167	4000K	33488LM					
			160	5000K	32139LM					
		240W	146	3500K	35197LM					
			159	4000K	38197LM					
			149	5000K	35839LM					

Optional Accessories

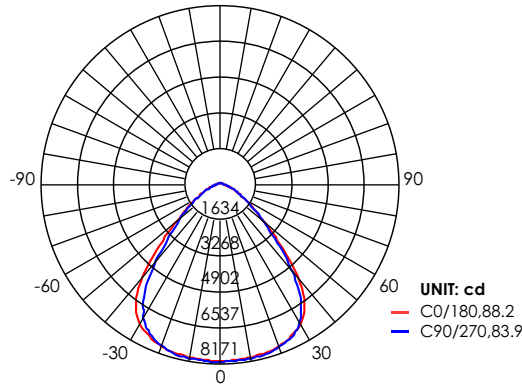
Accessories

Model Number	Order #	Description
E1MS-SMW-LVP	98027	12V Microwave Motion Sensor Plug-in
E1MS-SBTMW-LVP	98028	12V Bluetooth Smart Integrate Motion Sensor to Plug-in
E2HBA-R	99038	Prismatic Reflector for E2HBA & E3HBC
E1HBACC-ALREF	80079	Aluminum Refractor
E3HBC-LENS	80131	Drop Lens
E1MS-SMW-RC	98051	Sensor Remote Programming Control
E3HBC-MNT-UB	80135	Angle Adjustable U-Bracket for Surface Mounting feild installable
E3HBC-WG-A	80132	Wire Guard Small
E3HBC-WG-B	80133	Wire Guard Large
E3HBC-TRING	80134	Reflector Ring adapter (for small size)
EL-UFOEM	00000	Emergency Battery Backup

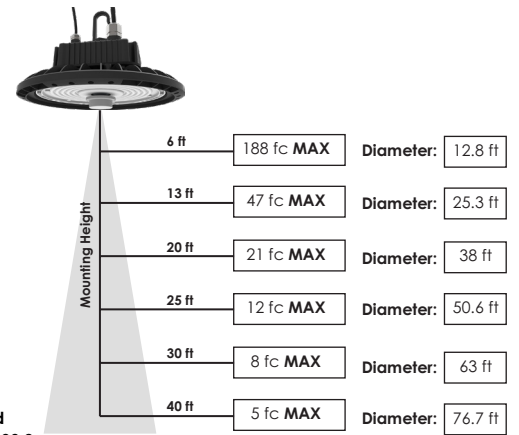
PHOTOMETRIC DATA

Model: E3HBC100D-850
 Test Report: E3HBC100D-850.ies
 CCT: 5000K
 Lamp Type: LED
 Lumens: 14928.6 LM @120V
 15750 LM @277V
 Input Watts: 100 W
 Efficacy: 135 LM/W

Lumen Intensity Graph:
E3HBC100D-850

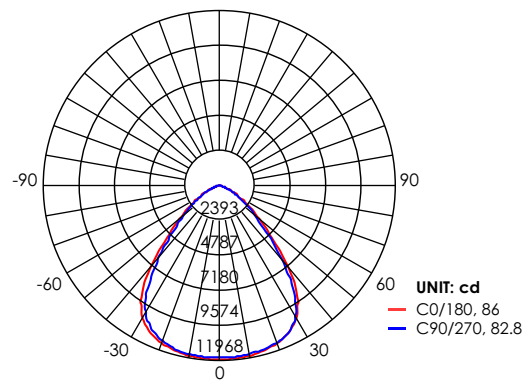


AVERAGE BEAM ANGLE (50%) : 84.45 DEG

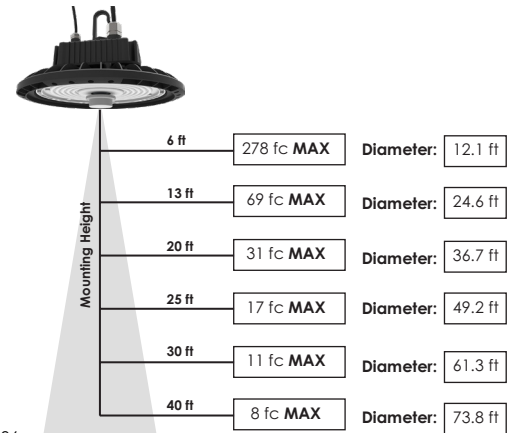


Model: E3HBC150D-850
 Test Report: E3HBC150D-850.ies
 CCT: 5000K
 Lamp Type: LED
 Lumens: 23740 LM @120V
 22149 LM @277V
 Input Watts: 150 W
 Efficacy: 135 LM/W

Lumen Intensity Graph:
E3HBC150D-850

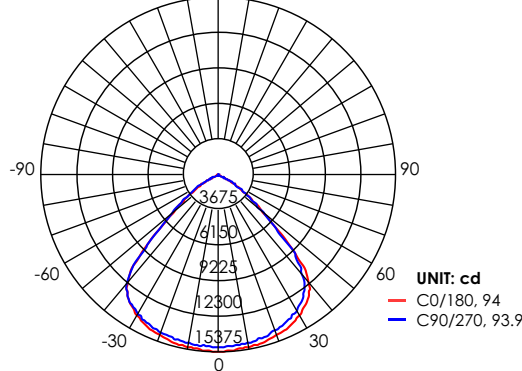


AVERAGE BEAM ANGLE (50%) : 86.06 DEG

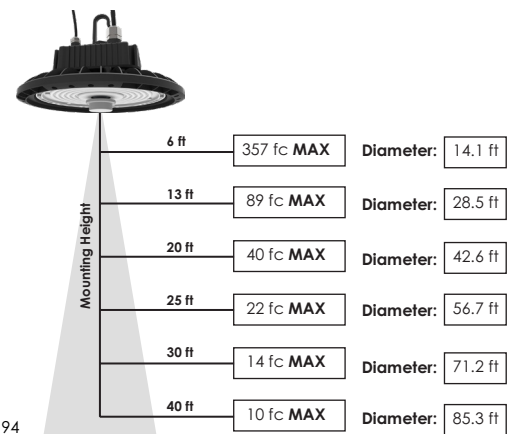


Model: E3HBC200D-850
 Test Report: E3HBC200D-850.ies
 CCT: 5000K
 Lamp Type: LED
 Lumens: 32992 LM@120V
 32480 LM@277V
 Input Watts: 200 W
 Efficacy: 135 LM/W

Lumen Intensity Graph:
E3HBC200D-850



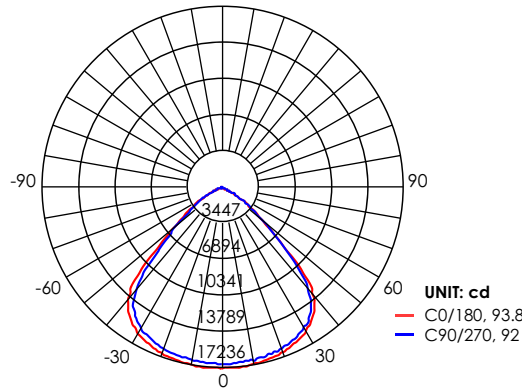
AVERAGE BEAM ANGLE (50%) : 94.04 DEG



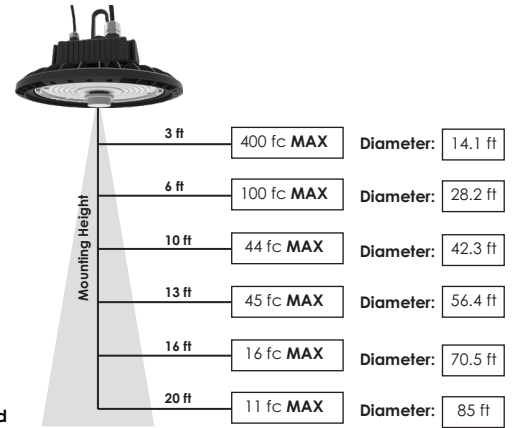
PHOTOMETRIC DATA

Model: E3HBC240D-850
 Test Report: E3HBC240D-850.ies
 CCT: 5000K
 Lamp Type: LED
 Lumens: 36310 LM @120V
 34815 LM @277V
 Input Watts: 240 W
 Efficacy: 135 LM/W

Lumen Intensity Graph:
E3HBC240D-850

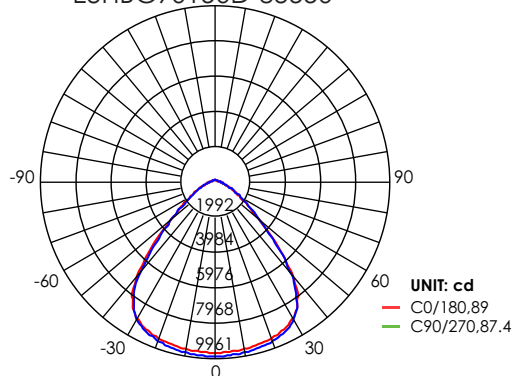


AVERAGE BEAM ANGLE (50%) : 93.7 DEG

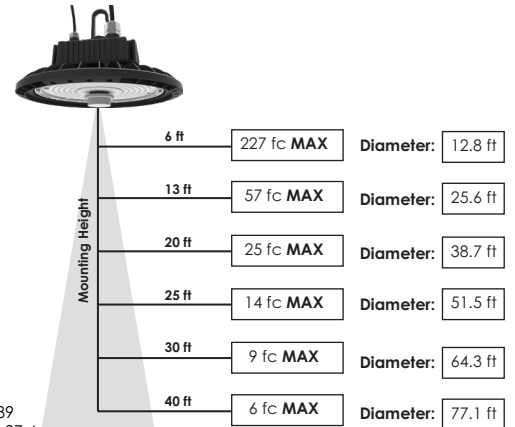


Model: E3HBC90150D-850
 Test Report: E3HBC90150D-850.ies
 CCT: 5000K
 Lamp Type: LED
 Lumens: 19600 LM
 Input Watts: 120 W
 Efficacy: 135 LM/W

Lumen Intensity Graph:
E3HBC90150D-83550

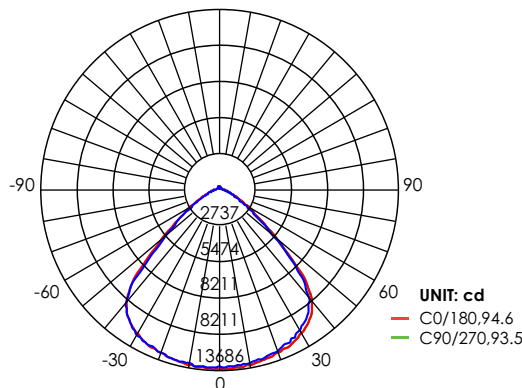


AVERAGE BEAM ANGLE (50%) : 87.7 DEG

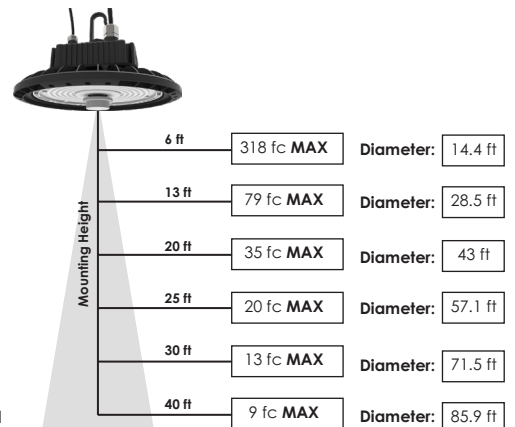


Model: E3HBC180240D-850
 Test Report: E3HBC180240D-850.ies
 CCT: 5000K
 Lamp Type: LED
 Lumens: 29700 LM
 Input Watts: 180 W
 Efficacy: 135 LM/W

Lumen Intensity Graph:
E3HBC180240D-83550

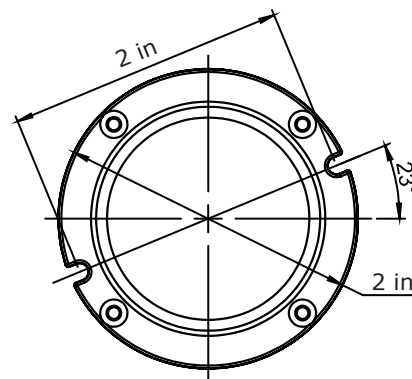
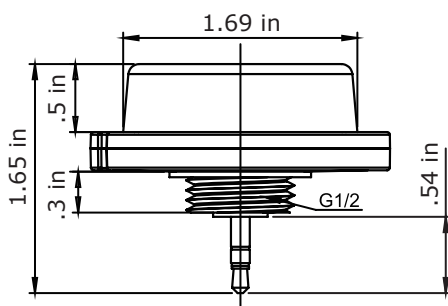


AVERAGE BEAM ANGLE (50%) : 94.64 DEG

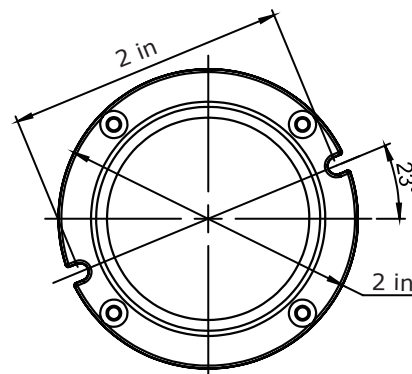
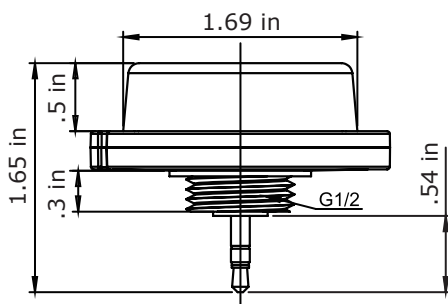


Accessories Dimesions

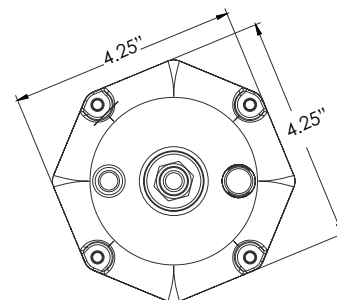
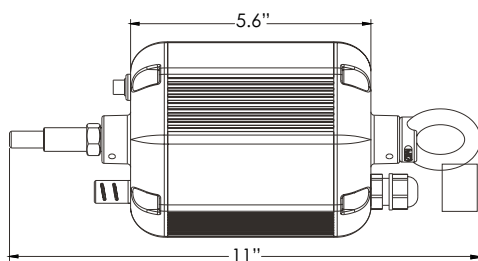
12V Microwave Motion Sensor E3MS-SMW-LVP



12V Bluetooth Microwave Motion Sensor Sensor E3MS-SBTMW-LVP

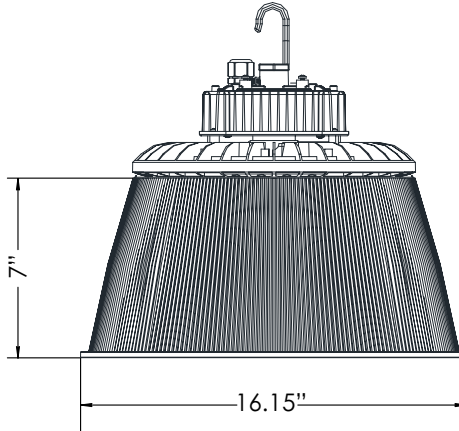


EL-UFOEM Emergency Battery Backup

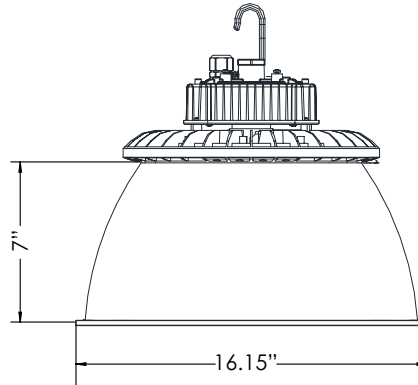


ACCESSORY DIMENSIONS

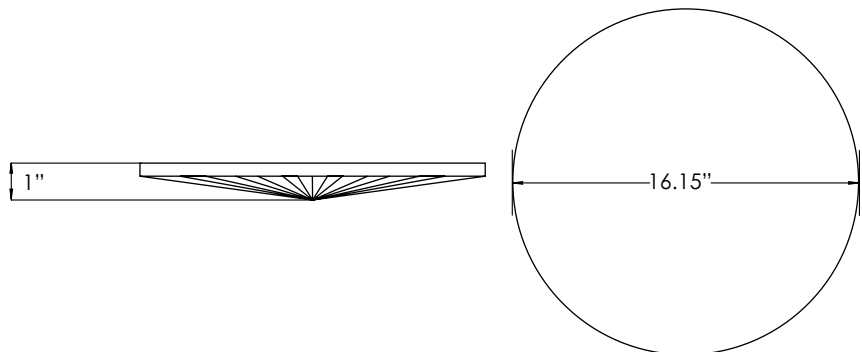
E2HBA-2 Prismatic Reflector



E1HBACC-ALREF Aluminum Refractor

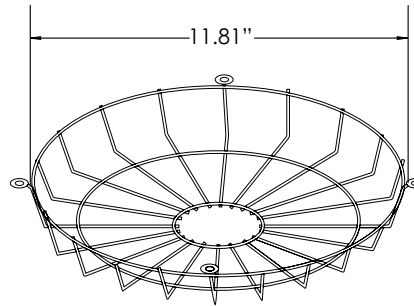
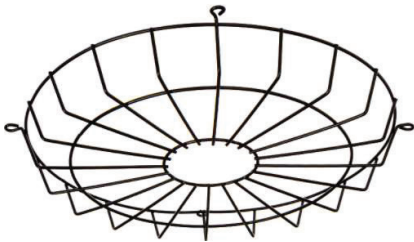


E3HBC-LENS Drop Lens



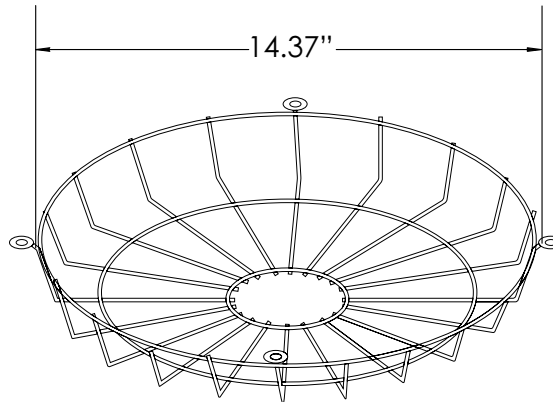
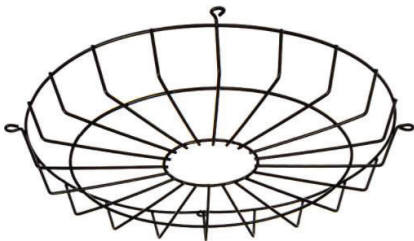
ACCESSORY DIMENSIONS

E3HBC-WG-A Wire Guard Small housing | 100W and 150W



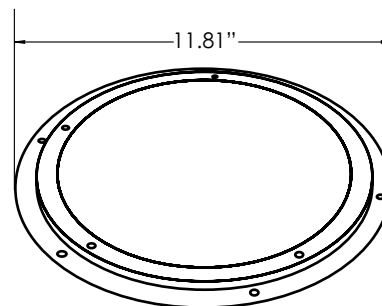
E3HBC100D-850
E3HBC150D-850
E3HBC90150D-83050

E3HBC-WG-B Wire Guard Large housing | 200W and 240W



E3HBC200D-850
E3HBC240D-850
E3HBC180240D-83050

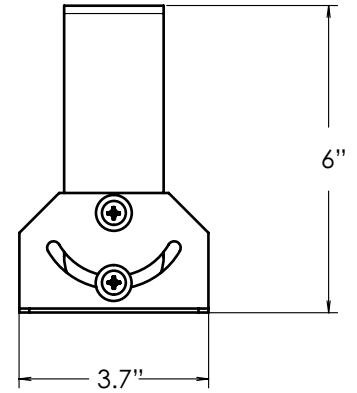
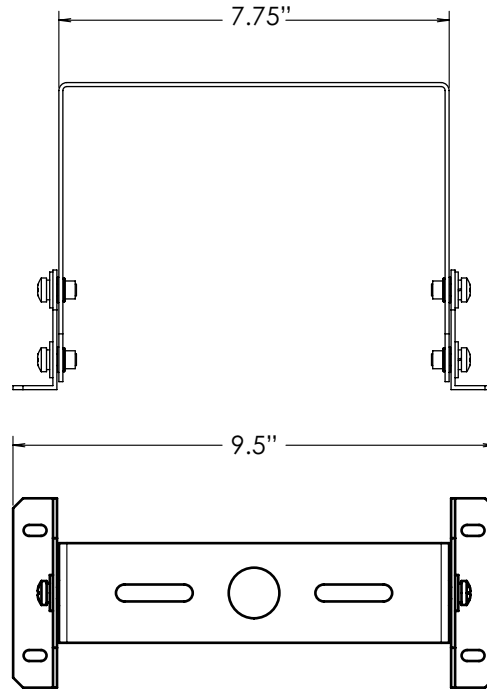
E3HBC-TRING Transfer Ring (for small profile 100W and 150W)



E3HBC100D-850
E3HBC150D-850
E3HBC90150D-83050

ACCESSORY DIMENSIONS

E3HBC-MNT-UB Angle Adjustable U-Bracket for Surface Mounting





ENERGETIC
L I G H T I N G

E3HBC

LED High Bay Fixture CCT-select & Wattage Select
50,000 System Lifetime • 10 Year Limited Warranty

NOTES: